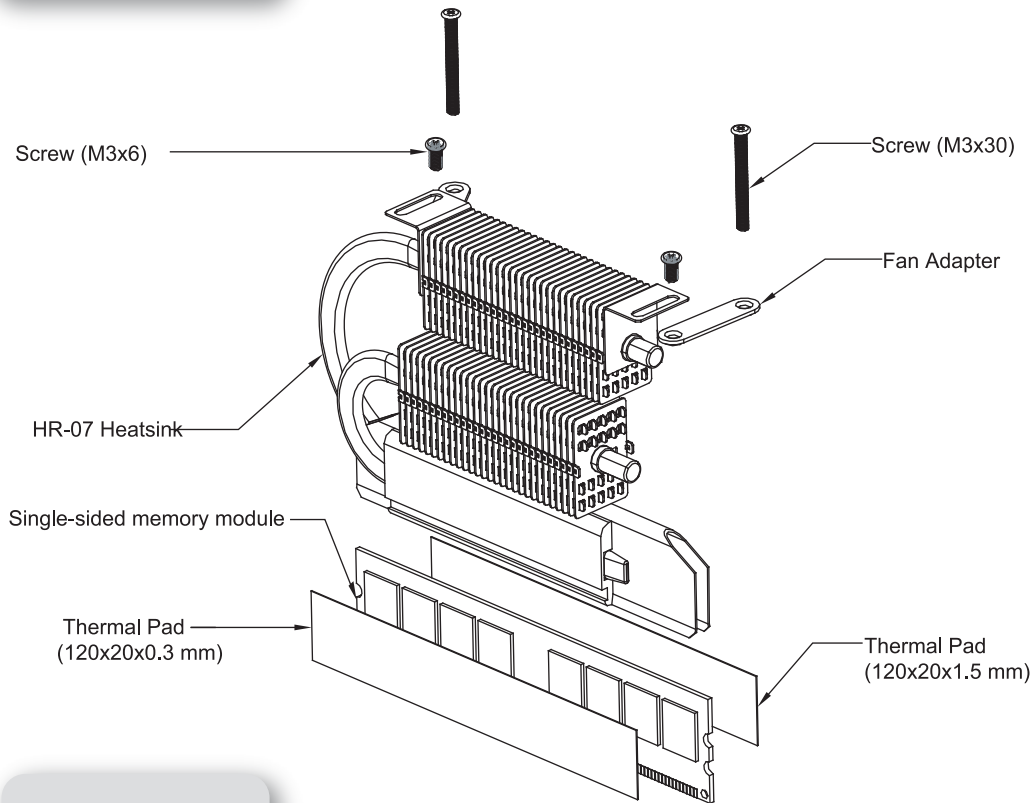
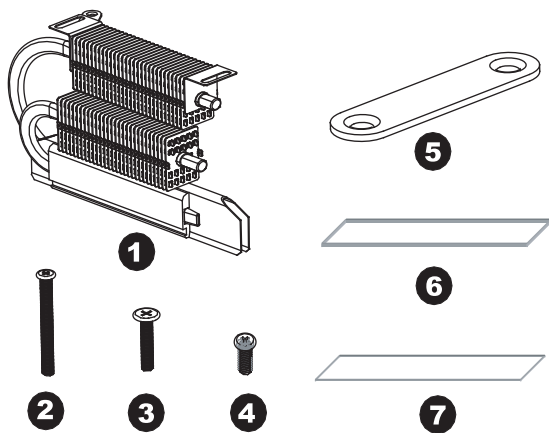


Exploded View

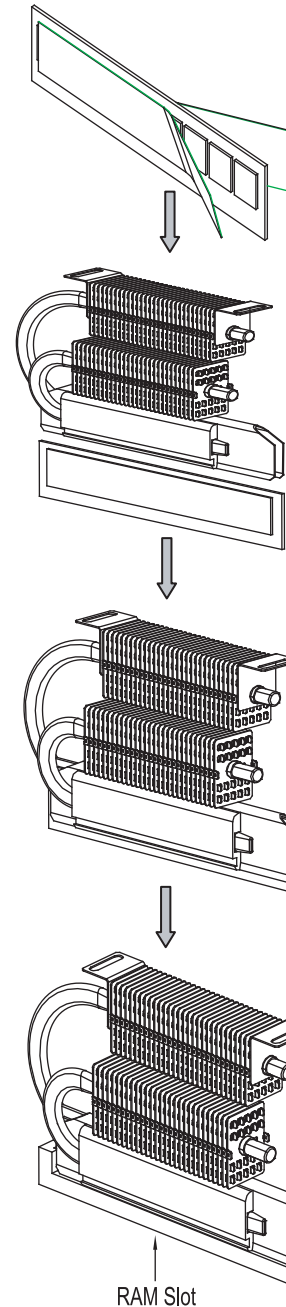


Component



Parts Name	Piece (s)
1 HR-07 Heatsink	1
2 M3x30 Screw	2
3 M3x15 Screw	2
4 M3x6 Screw	2
5 Fan Adapter	2
6 120x20x1.5 mm Thermal Pad	1
7 120x20x0.3 mm Thermal Pad	2

Installation



Step 1: Thermal Pad Attachment

Attach thermal pad on both side of the memory module.



Note
Attach the 0.3 mm thermal pad to both sides of double-sided memory module.

If your memory module is single-sided, attach 0.3 mm thermal pad to the side that has the memory chips, and then attach 1.5 mm thermal pad to the other side.

Step 2: Heatsink Installation.

Insert memory module into the cooler's clip. Insert memory module with heatsink attached into the memory slot. Installation completed.

Step 3: Dual Inline Memory Channel Installation.

If you use dual channel, you have to install two pieces of HR-07 heatsink, please follow step 1 & 2 for installation.



For option of installing a fan (Suitable size : 70 \ 80 \ 90 mm)
Put the fan adapter on the heatsink, then adjust the position to fit the size of your fan. Choose the fitting screws, and then tighten the screws. (Please refer to Thermalright website for more detailed instructions). Installation completed.

